

HUSH
PROFESSIONAL **FLAT IRON**



Please read the user's manual carefully before use.

DESCRIPTION OF PRODUCT

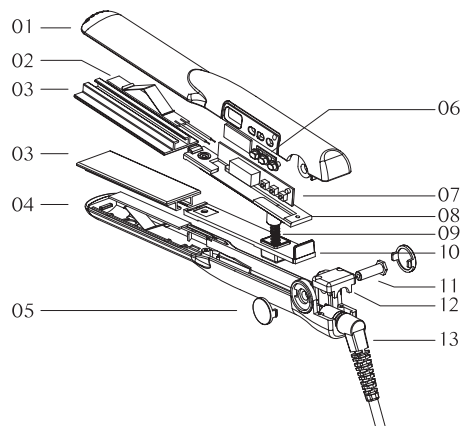
1. This power cord is made of soft rubber material instead of traditional PVC material, provided with superior bending enduring performance.
2. This power cord can be rotated 360° freely.
3. The surface of the heating plate is even and smooth and closely attached to the aluminium sheet, the aluminium sheet has evenly distributed heat with stable temperature, which therefore makes the treated hair flatter and smoother.
4. Easy to read digital neon temperature display. Effortless 3 colors reading display.

USER-MAINTENANCE INSTRUCTIONS

CAUTION: in order to avoid the risk of an electric shock, never try to repair the unit by yourself. Take it to an authorized service station for examination and repair.

1. Always turn the iron off when not in use.
2. If the cord of appliance is twisted, untwist the cord before use.
3. Disconnect cord when not in use.
4. Avoid impact to heating plates.
5. Store in dry/cool place-avoid moisture.
6. Do not touch plates when "turned on".
7. Any attempt to take apart will void warranty.
8. Keep out of reach of children.

COMPONENT ILLUSTRATION



- 01 upper cover
- 02 heating sheet
- 03 aluminum board
- 04 under cover
- 05 screw cover
- 06 bottom
- 07 PCB control panel
- 08 upper cover of handle
- 09 spring
- 10 under cover of handle
- 11 shaft sleeve
- 12 socket cover
- 13 cord

READ ALL INSTRUCTIONS BEFORE USING
IMPORTANT SAFETY INSTRUCTIONS

The appliance is not to be used by persons (including children) with reduced physical, sensory or mental capabilities, or lack of experience and knowledge, unless they have been given supervision or instruction. Children being supervised not to play with the appliance.

When using electrical appliances, especially when children are present, basic safety precautions should always be followed, including the following:

DANGER – As with most electrical appliances, electrical parts are electrically live even when the switch is off:

To reduce the risk of death by electric shock:

1. Always "unplug it" immediately after using.
2. Do not use while bathing.
3. Do not place or store appliance where it can fall or be pulled into a tub or sink.
4. Do not place in or drop into water or other liquid.
5. If an appliance falls into water, "unplug it" immediately. Do not reach into the water.

WARNING – To reduce the risk of burns, electrocution, fire, or injury to persons:

1. An appliance should never be left unattended when plugged in.
2. Close supervision is necessary when this appliance is used by, on, or near children or individuals with certain disabilities.
3. Use this appliance only for its intended use as described in this manual. Do not use attachments not recommended by the manufacturer.
4. Never operate this appliance if it has a damaged cord or plug, if it is not working properly, or if it has been dropped, damaged, or dropped into water. Return the appliance to a service center for examination and repair.
5. Keep the cord away from heated surfaces. Do not wrap the cord around the appliance.
6. Never block the air openings of the appliance or place it on a soft surface, such as a bed or couch, where the air openings may be blocked. Keep the air openings free of lint, hair, and the like.
7. Never use while sleeping.
8. Never drop or insert any object into any opening or hose.
9. Do not use outdoors or operate where aerosol (spray) products are being used or where oxygen is being administered.
10. Do not use an extension cord with this appliance.
11. This curling iron and clip are hot when in use. Do not let eyes and bare skin touch heated surfaces.
12. Do not place the heated curling iron directly on any surface while it is hot or plugged in.
13. Suitable for Dry Location ONLY.
14. This appliance has a polarized plug (one blade is wider than the other). As a safety feature, this plug will fit in a polarized outlet only one way. If the plug does not fit fully in the outlet, reverse the plug. If it still does not fit, contact a qualified electrician. Do not attempt to defeat this safety feature.



WARNING: Do not use this appliance near bathtubs, showers, basins or other vessels containing water.

WARRANTY		PURCHASE DATE	
DATE	SERVICE CONTENTS	INSPECTOR	SIGNATURE